

SI UNITS (mm)

UNIT SIZE	AIR FLOW L/S	C	D	F	COIL CONNECTIONS	
					1 ROW	2 ROW
6	189	305	254	68	13	22
8	330					
10	519	356	318	17	22	22
12	755					
14	991	406	381	17	22	22
16	1321	457	445	68	22	22

IMPERIAL UNITS (inches)

UNIT SIZE	AIR FLOW L/S	C	D	F	COIL CONNECTIONS		SPV UNIT COIL SIZE
					1 ROW	2 ROW	
6	400	12"	10"	2 ¹¹ / ₁₆ "	1/2"	7/8"	7, 8
8	700						
10	1100	14"	12 ¹ / ₂ "	1 ¹ / ₁₆ "	7/8"	7/8"	9, 10
12	1600						
14	2100	16"	15"	1 ¹ / ₁₆ "	7/8"	7/8"	12
16	2800	20"	17 ¹ / ₂ "	2 ¹¹ / ₁₆ "	7/8"	7/8"	14

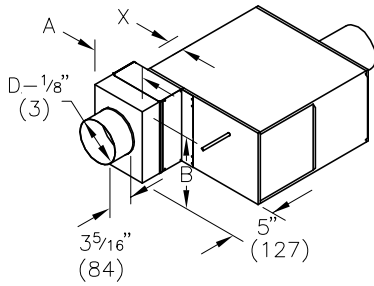
NOTES:

- 1) UNIT CASING IS CONSTRUCTED OF 22 ga. ZINC COATED STEEL.
- 2) HOT WATER COILS HAVE COPPER TUBES AND ALUMINUM FINNS WITH O.D. SWEAT CONNECTIONS.
- 3) ACCESS TO THE UPSTREAM SIDE OF THE REHEAT COIL IS PROVIDED THROUGH A 4 1/2" X 6" (114 x 152) ACCESS DOOR ON BOTTOM OF COIL ADAPTOR.
- 4) RECTANGULAR DISCHARGE OPENINGS HAVE SLIP AND DRIVE CLEAT DUCT CONNECTIONS.
- 5) METHOD OF VENTING REHEAT COIL IS TO BE PROVIDED BY THE INSTALLING CONTRACTOR.
- 6) HAND OF WATER COIL TO BE DETERMINED BY THE LOCATION OF THE COIL CONNECTIONS WHEN VIEWED FROM THE INLET WITH THE ACCESS DOOR ON THE BOTTOM.(R.H. SHOWN)
- 7) ALLOW 1 1/2" (38) MINIMUM CLEARANCE FOR INSTALLATION ON THIS SIDE.
- 8) WATER COILS ARE FACTORY INSTALLED.

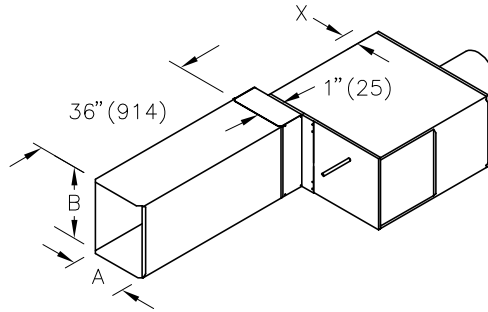
ALL METRIC DIMENSIONS () ARE SOFT CONVERTED. IMPERIAL DIMENSIONS ARE CONVERTED TO METRIC AND ROUNDED TO THE NEAREST MILLIMETER.

PROJECT:		PRICE [®]	
ENGINEER:		BG	LGB LOW PRESSURE BY-PASS WATER COILS
CUSTOMER:		220018	
SUBMITTAL DATE:	SPEC. SYMBOL:	2011/09/16	

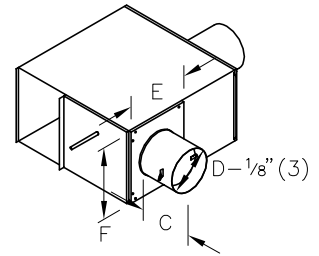
**LGB w/ RDC
(FACTORY INSTALLED)**



**LGB w/ 3FT DISCHARGE ATTENUATOR
(SHIPPED LOOSE)**



**LGB w/ RBPC
(FACTORY INSTALLED)**



IMPERIAL UNITS (Inch) / S.I. UNITS (mm)

UNIT SIZE (D)	A	B	C	E	F	X
6	12" (305)	10" (254)	9 1/4" (235)	9" (229)	10" (254)	2 11/16" (68)
8						
10	14" (356)	12 1/2" (317)	11 5/8" (295)	13" (330)	14" (356)	1 1/16" (17)
12						
14	16" (406)	15" (381)	14 1/4" (362)	15" (381)	16" (406)	1 1/16" (17)
16	20" (508)	17 1/2" (444)	15 1/8" (384)	17" (432)	18" (457)	2 11/16" (68)

NOTES:

- ALL ACCESSORIES ARE CONSTRUCTED OF 22GA ZINC COATED STEEL.
- INTERNAL INSULATION – FIBERGLASS 1/2" (13) THICK, MIN. 1.5# DENSITY WHICH MEETS REQUIREMENTS OF NFPA90A AND UL181.
- INSULATION OF DISCHARGE ATTENUATOR WILL MATCH UNIT INSULATION.

INSULATION OPTIONS:

- FG1 FF50
- FF FF1
- FB FB1

ALL METRIC DIMENSIONS () ARE SOFT CONVERTED. IMPERIAL DIMENSIONS ARE CONVERTED TO METRIC AND ROUNDED TO THE NEAREST MILLIMETER.

PROJECT:		PRICE®	
ENGINEER:		GF	LGB STANDARD ACCESSORIES
CUSTOMER:			
SUBMITTAL DATE:		220003	
SPEC. SYMBOL:		2003/12/01	